



PRODUCT SPECIFICATIONS

# T-802 HEAT TRANSFER COMPOUNDS

### APPLICATION

T-802 is a two-part medium temperature resin-based heat transfer compound for use in moist and/or corrosive environments. Thermon's heat transfer compounds provide an efficient thermal connection between the tracer and the process equipment. By eliminating the air voids that would ordinarily exist, heat is directed into the pipe wall primarily through conduction rather than convection and radiation. A single tracer utilising Thermon's heat transfer compound has the equivalent performance of three to five air convection (bare) tracers.

T-802 is typically utilised for applications requiring relatively short curing times where steam is not currently available. T-802 begins curing upon mixing. Curing times vary from 1.25 to 4 hours depending on mixing ratios and ambient temperatures.

### SPECIFICATIONS/RATINGS

#### Container sizes

T-802-Q .....0.946-liter cans

T-802-G .....3.79-liter cans

Maximum exposure temperature..... 135°C

Minimum exposure temperature..... -196°C

Minimum installation temperature..... 0°C

Heat transfer coefficient, U ..... tracer to pipe wall  
114-227 w/m<sup>2</sup>•°C

Electrical resistivity .....57 ohms/cm

Shelf life..... 1 year (unmixed)

Bond shear ..... 6,895 kPa

Water-soluble ..... no



### DESCRIPTION

T-802 is available in 0.946-liter and 3.79-liter cans.

### BENEFITS

- Nonsoluble in water
- Self-curing—no heat required
- Epoxy resin base creates strong thermal and mechanical bond
- Suitable for moist and/or corrosive environments
- Free design assistance



Typical Installed Cross Section  
(Fillet application)

### THERMON The Heat Tracing Specialists®



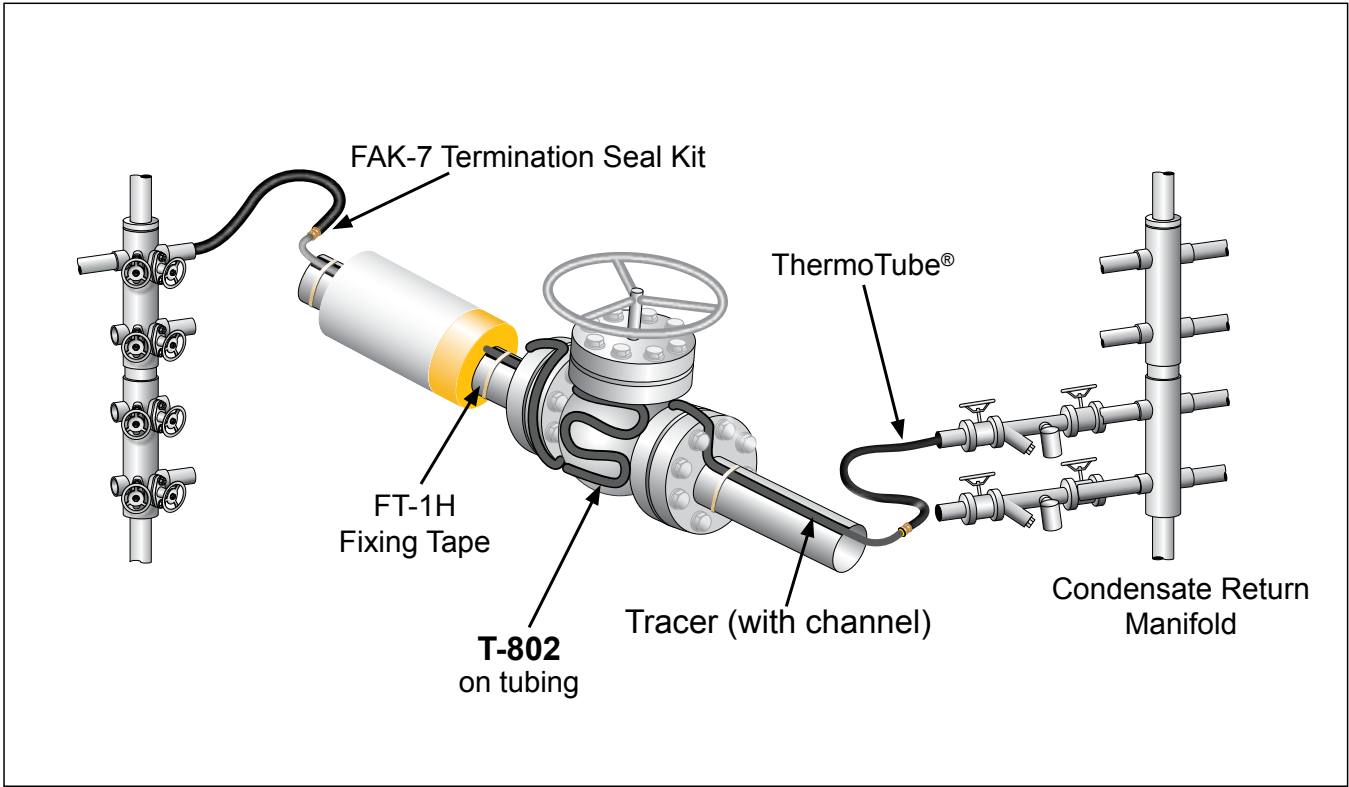
European Headquarters: Boezemweg 25 • PO Box 205 • 2640 AE Pijnacker • The Netherlands • Phone: +31 (0) 15-36 15 37  
Corporate Headquarters: 100 Thermon Dr • PO Box 609 San Marcos, TX 78667-0609 • Phone: 512-396-5801 • 1-800-820-4328  
For the Thermon office nearest you visit us at . . . [www.thermon.com](http://www.thermon.com)



PRODUCT SPECIFICATIONS

# T-802 HEAT TRANSFER COMPOUNDS

## TYPICAL STEAM TRACING SYSTEM



## PRODUCT CONFIGURATIONS

Catalog Number	Description	Max. Exposure Temperature
T-802-Q	1-Quart 2-Part Compound*	275°F (135°C)
T-802-G	1-Gallon 2-Part Compound*	275°F (135°C)

\* Shipped in two (2) separate containers.



**Stainless Steel Banding** used to secure tracer to piping.

- **T2SSB** (.50" x .020") for 3/8" and 1/2" O.D. tube tracers.
- **T3SSB** (.50" x .030") for 3/4" and 1" O.D. tube tracers and NPS pipe tracers.
- **C001** banding tool for applying tension to T2SSB or T3SSB banding.



**1950A** crimping tool for T34PB-CR seals.

**T34PB-CR** crimp seals for fastening tensioned banding.